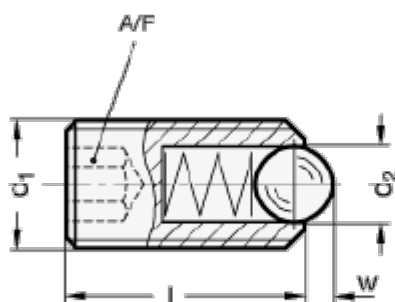


Article number: 206153M20KPFB

Description: E+G spring plungers 615.3-M20-K-PFB

Measures



Thread locking **PFB**
Polyamide patch
for type **K**



Thread locking **PFB**
Polyamide patch
for type **KS**



Thread locking **MVK**
Micro encapsulation precote
(for all types)

A/F	= 10
d1	= M20
d2	= 12
l	= 43
Max. spring load in N	= 111
Preload spring pressure in N	= 56
w	= 4.5